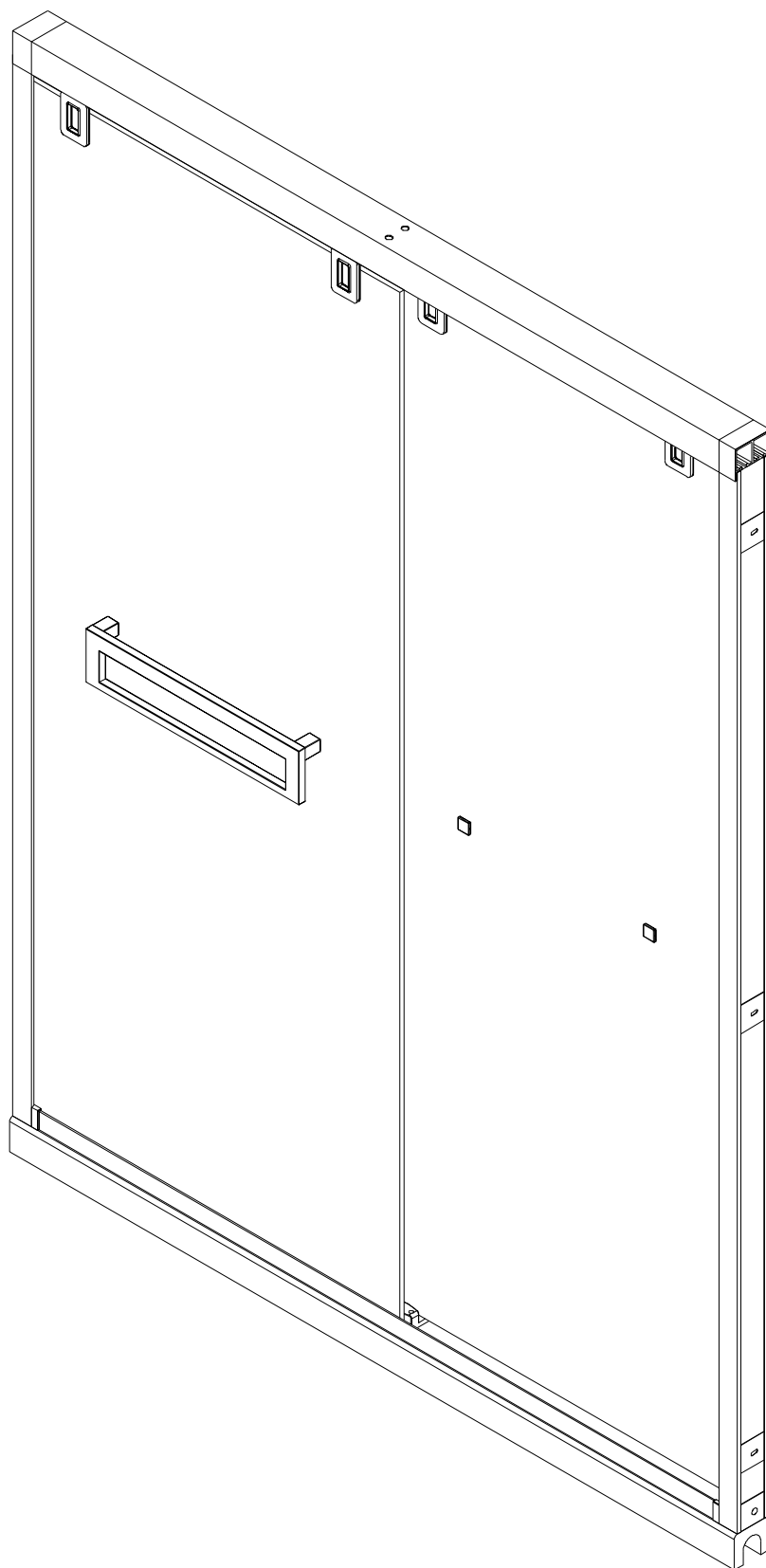


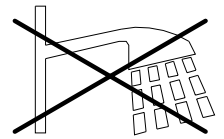
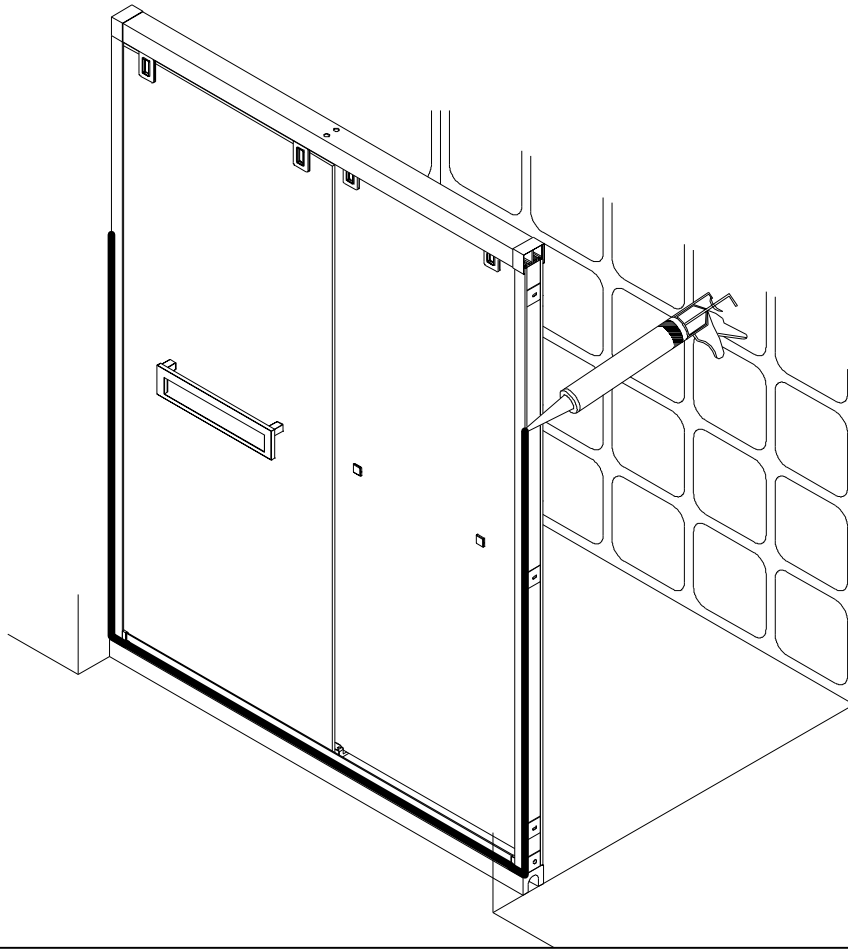


# SR1990



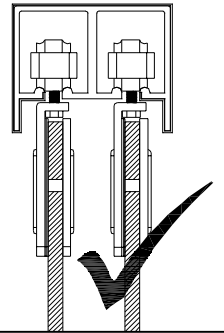
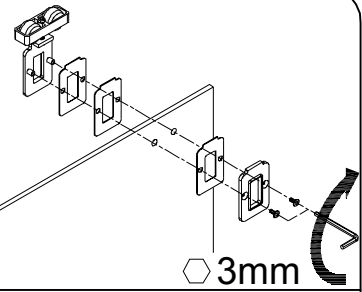
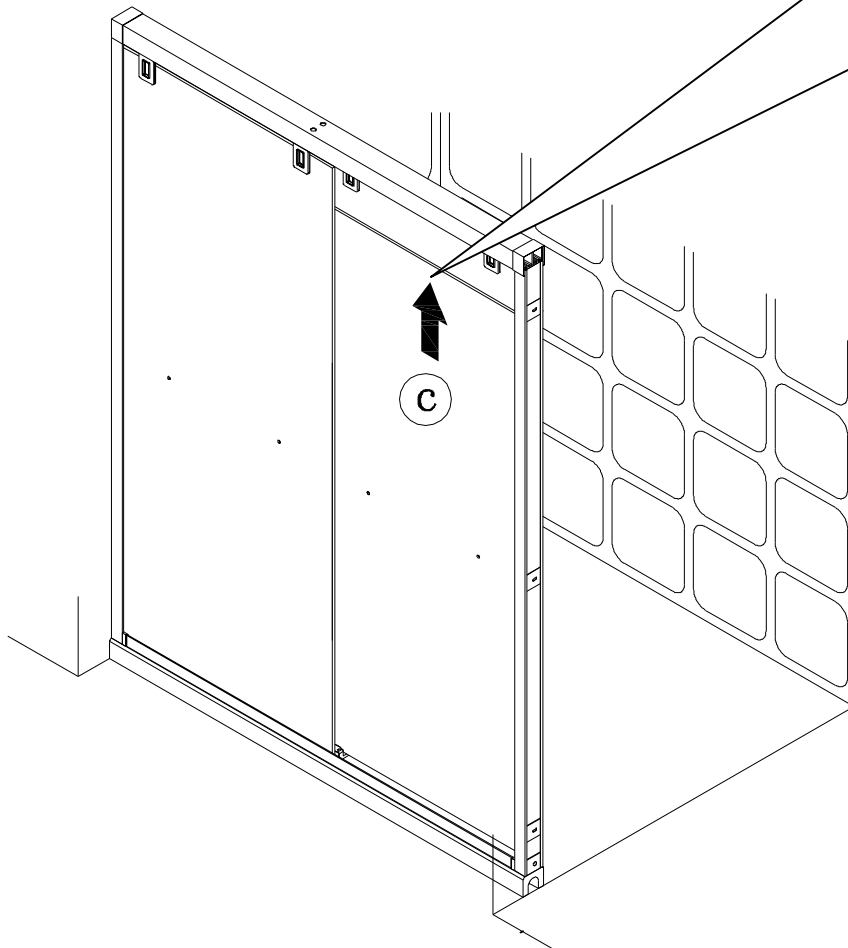


14

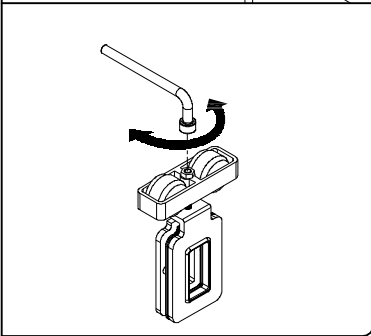
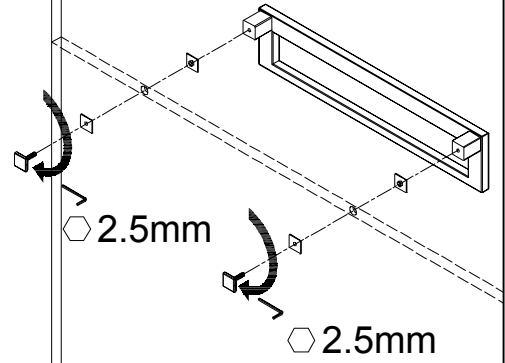
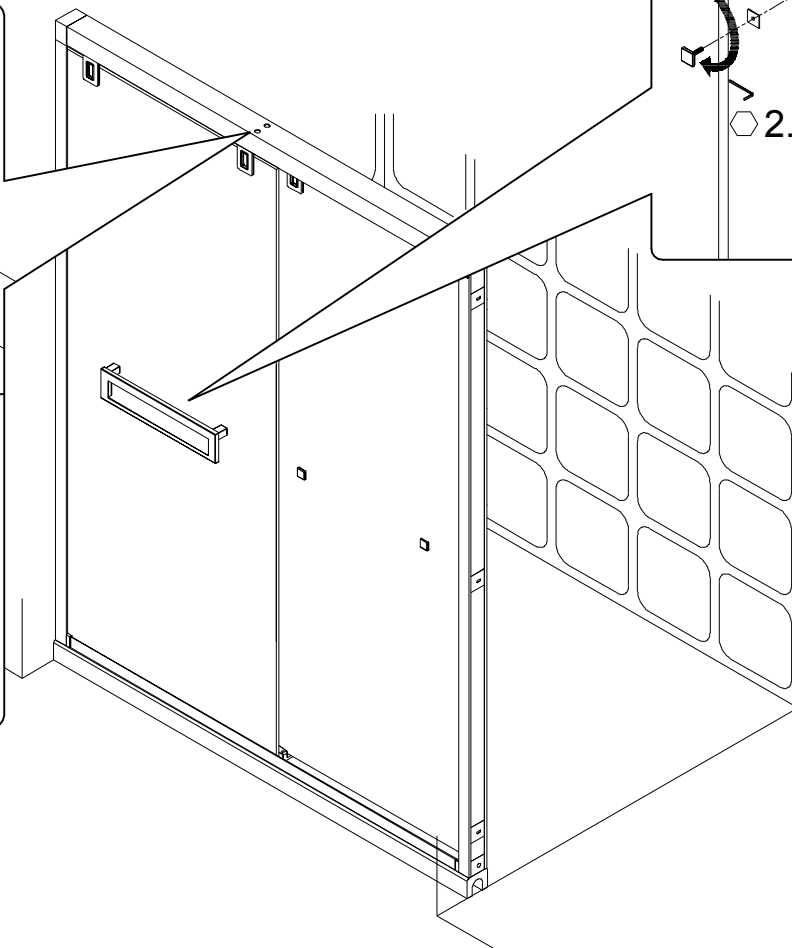
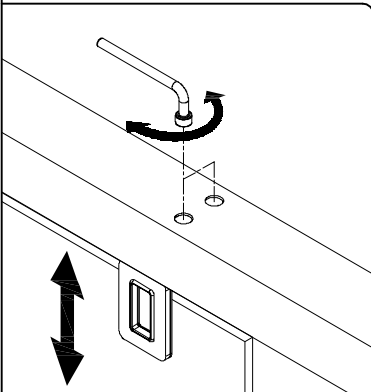


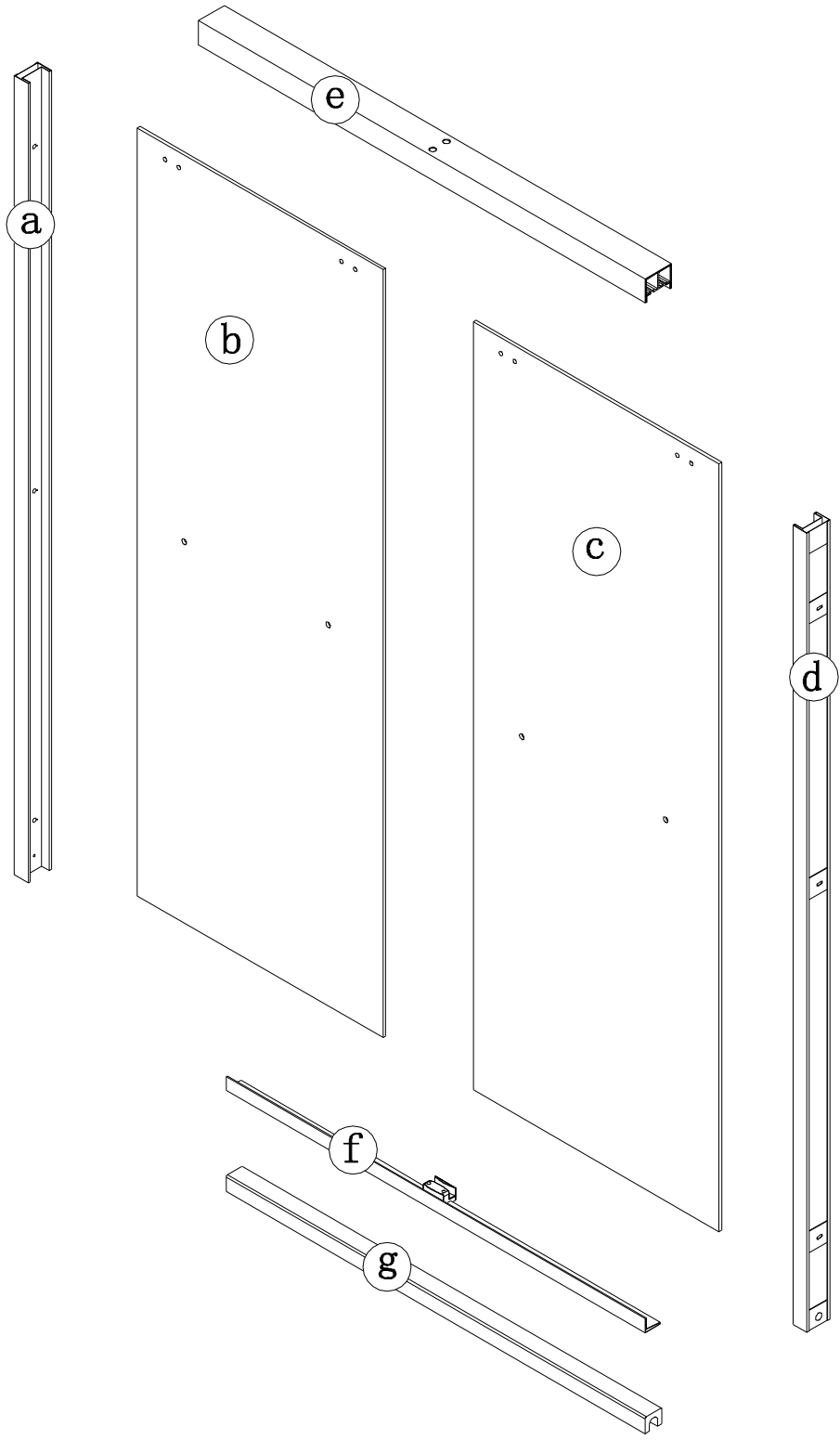
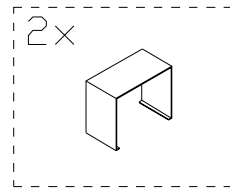
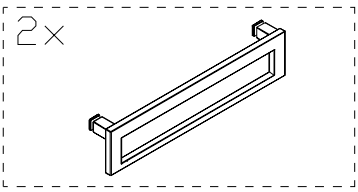
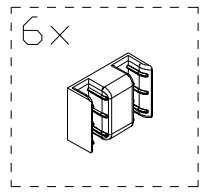
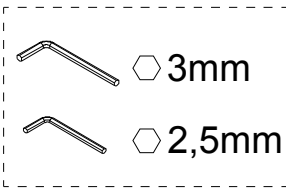
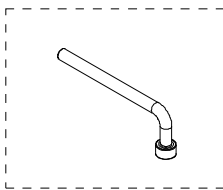
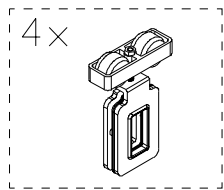
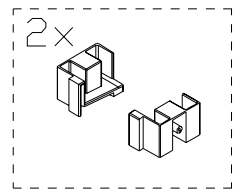
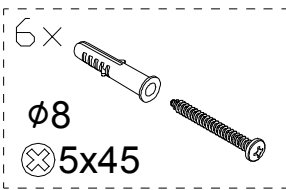
24h

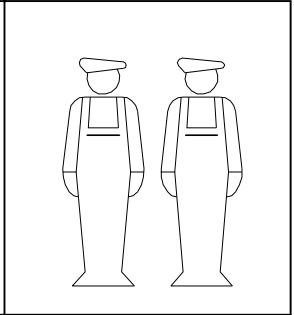
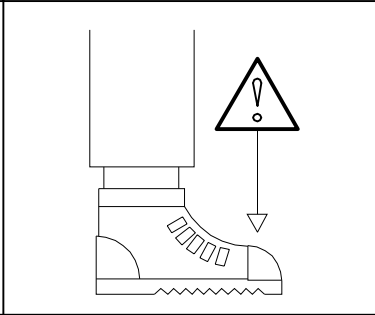
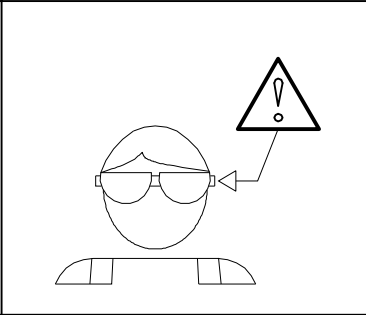
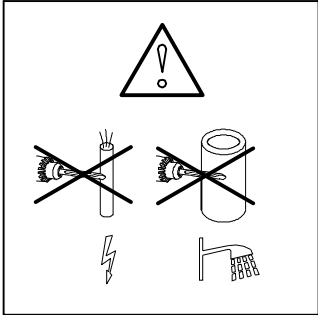
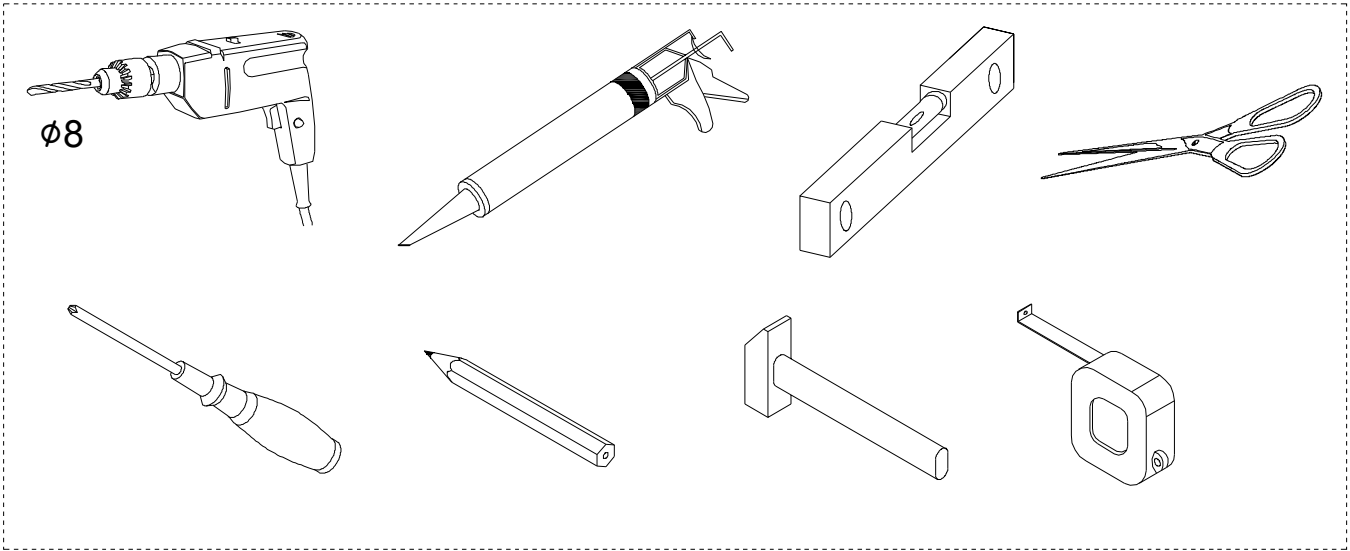
12



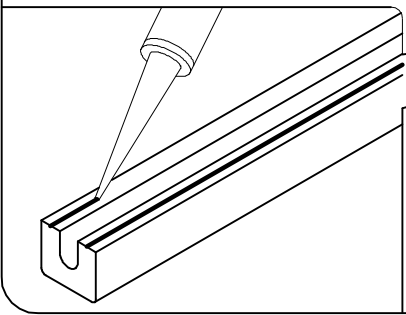
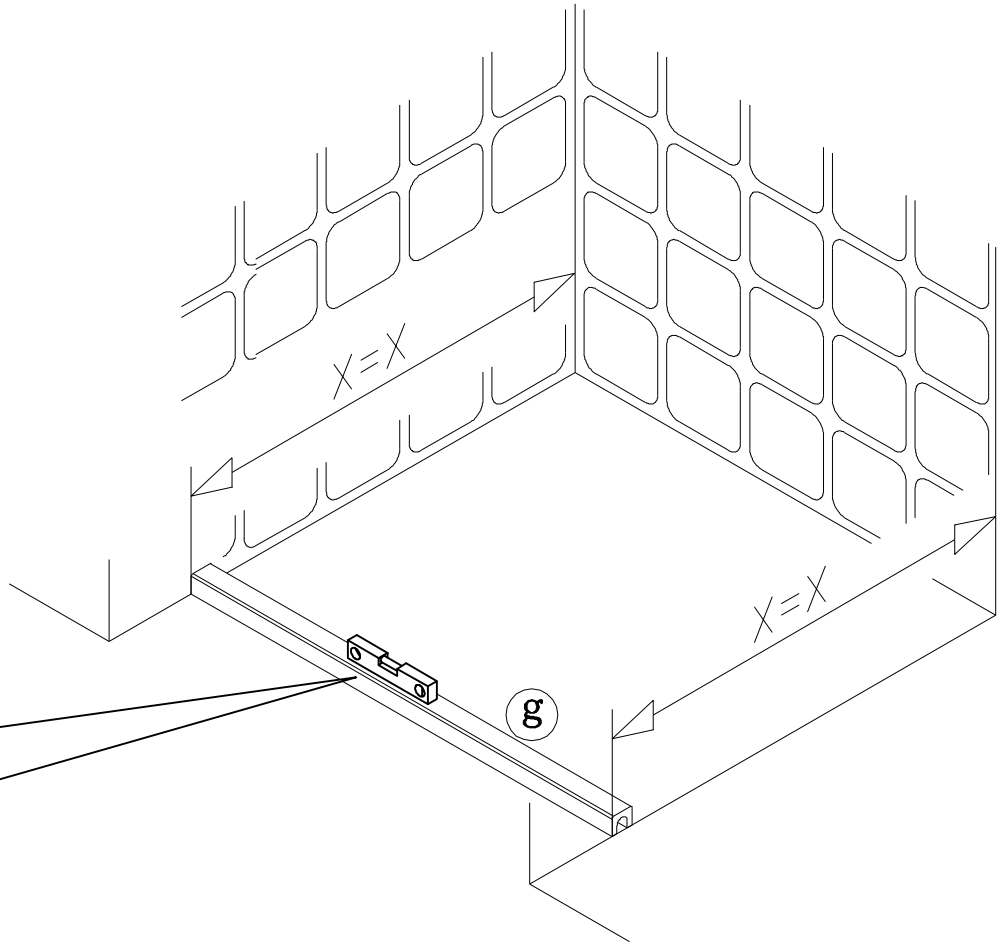
13



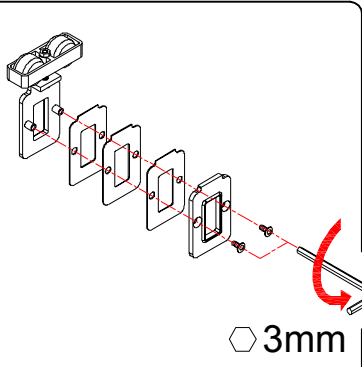




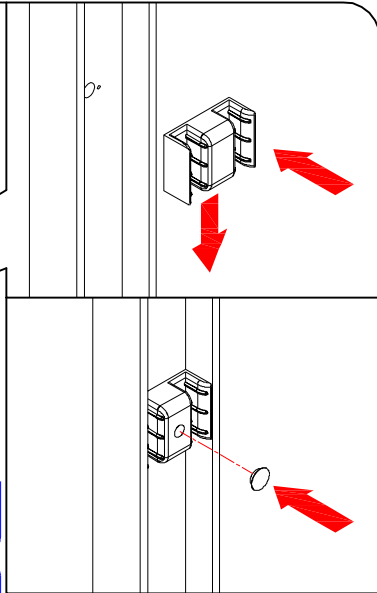
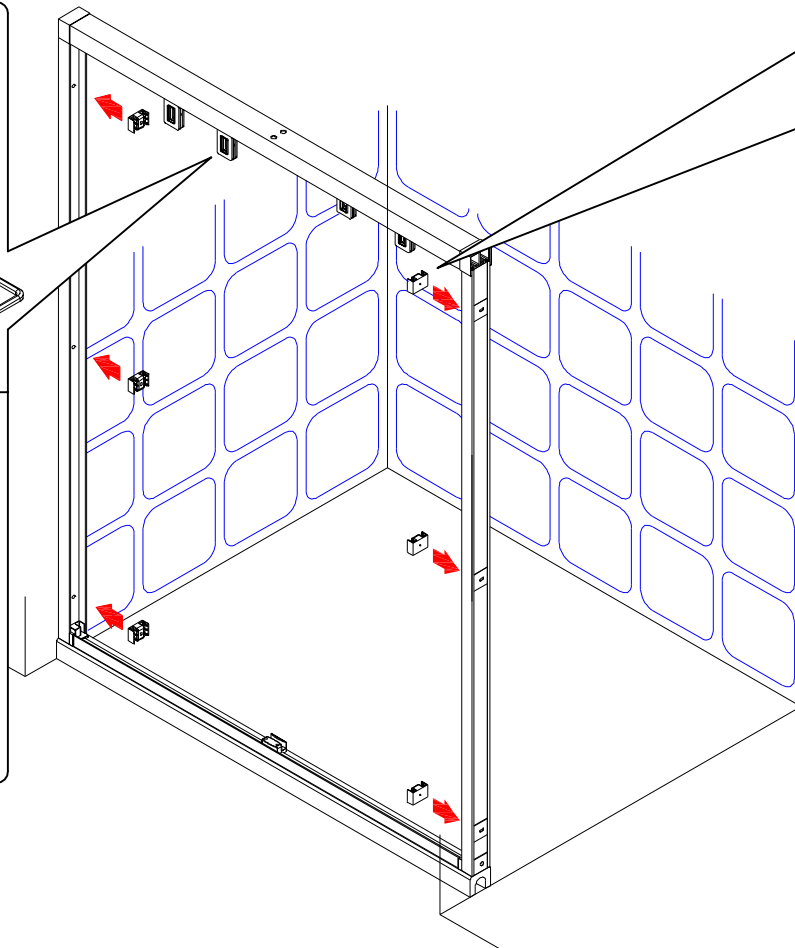
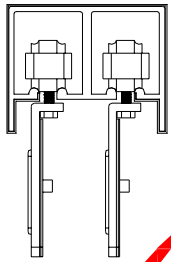
1



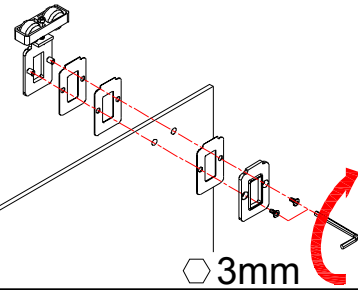
10



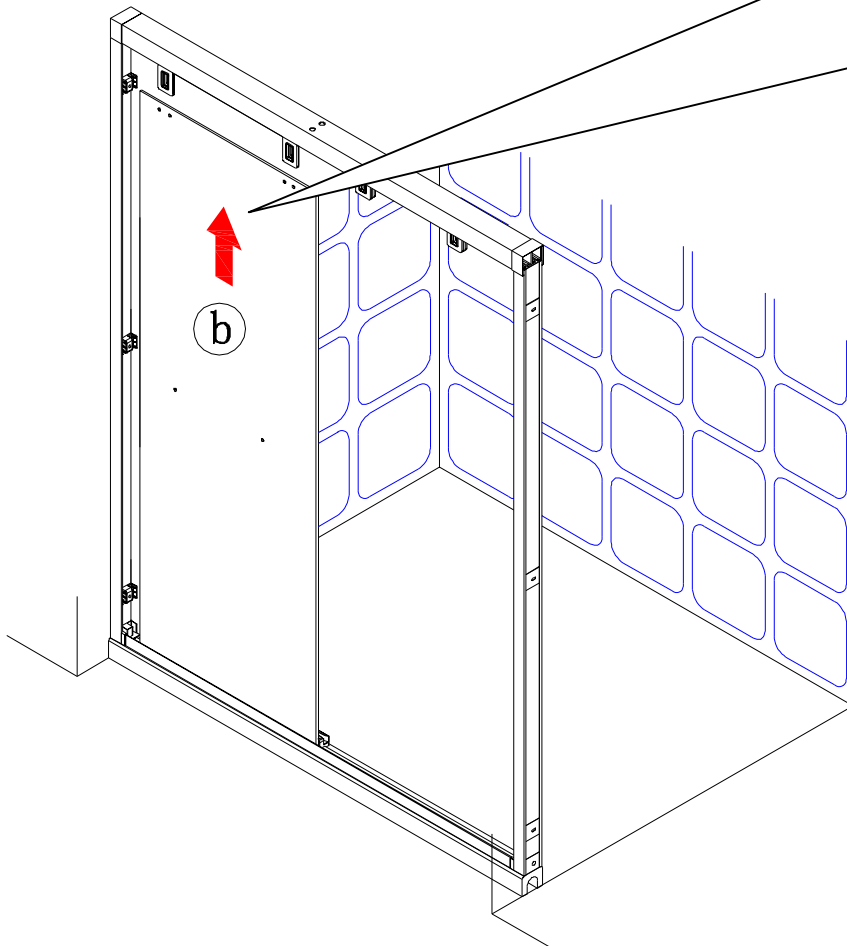
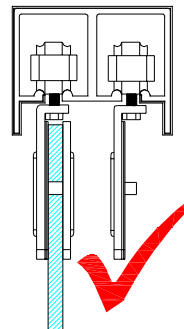
3mm



11

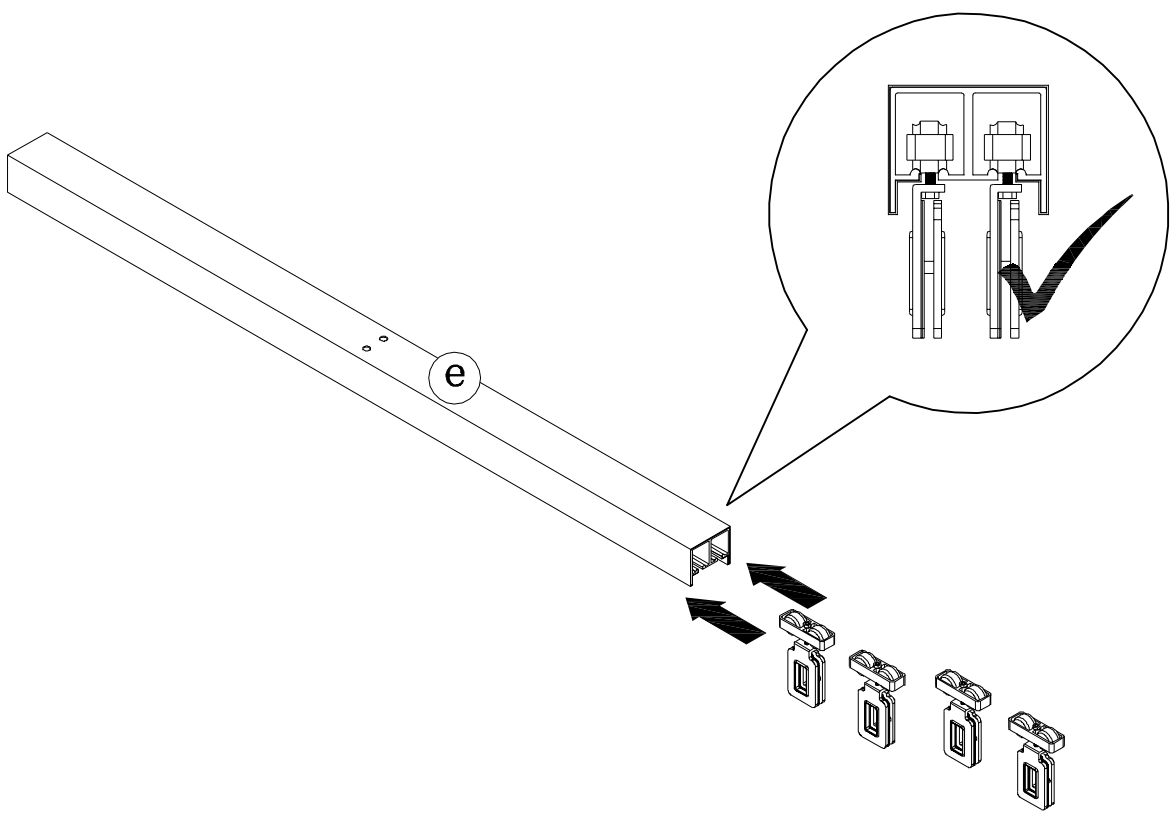


3mm

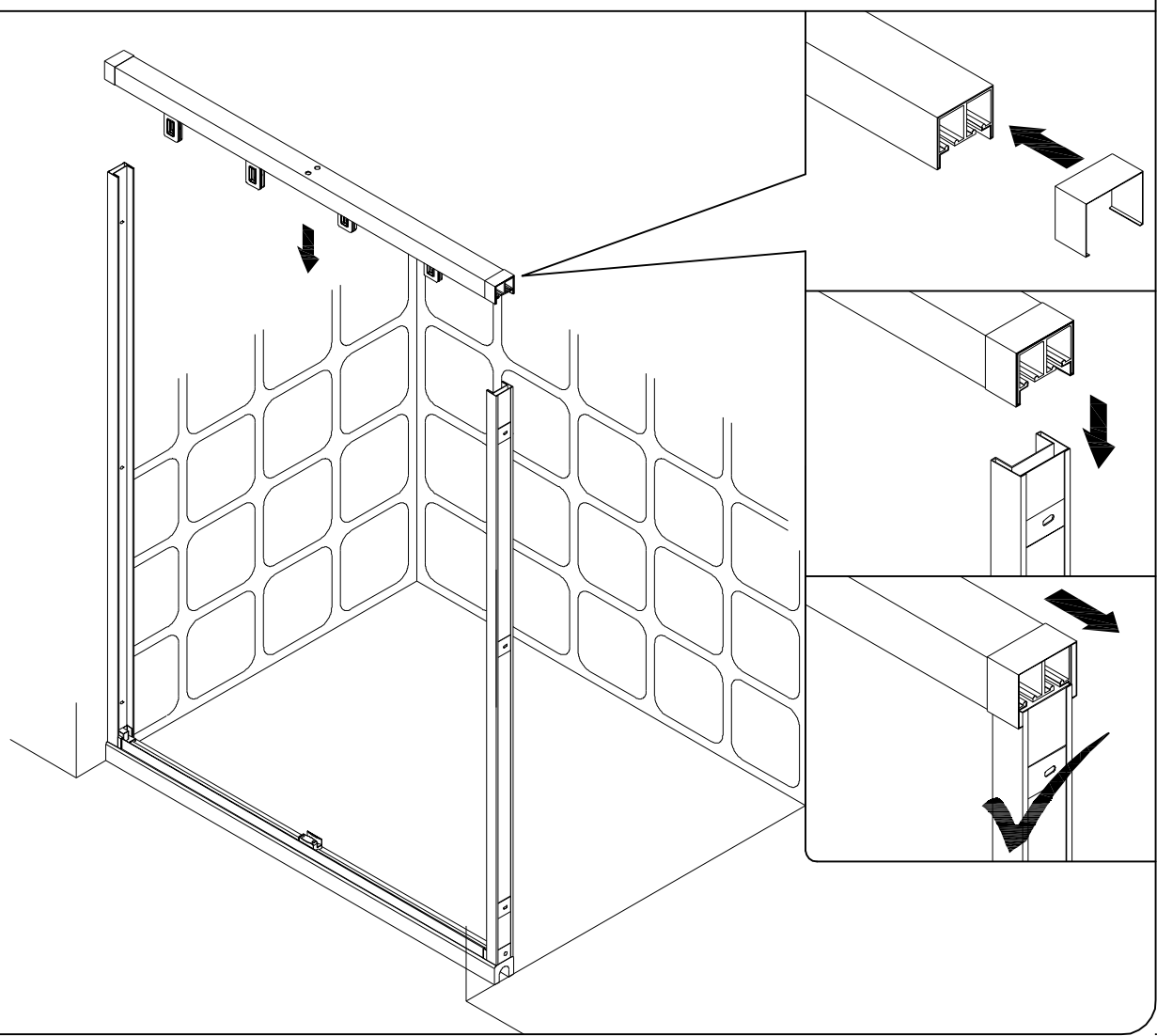




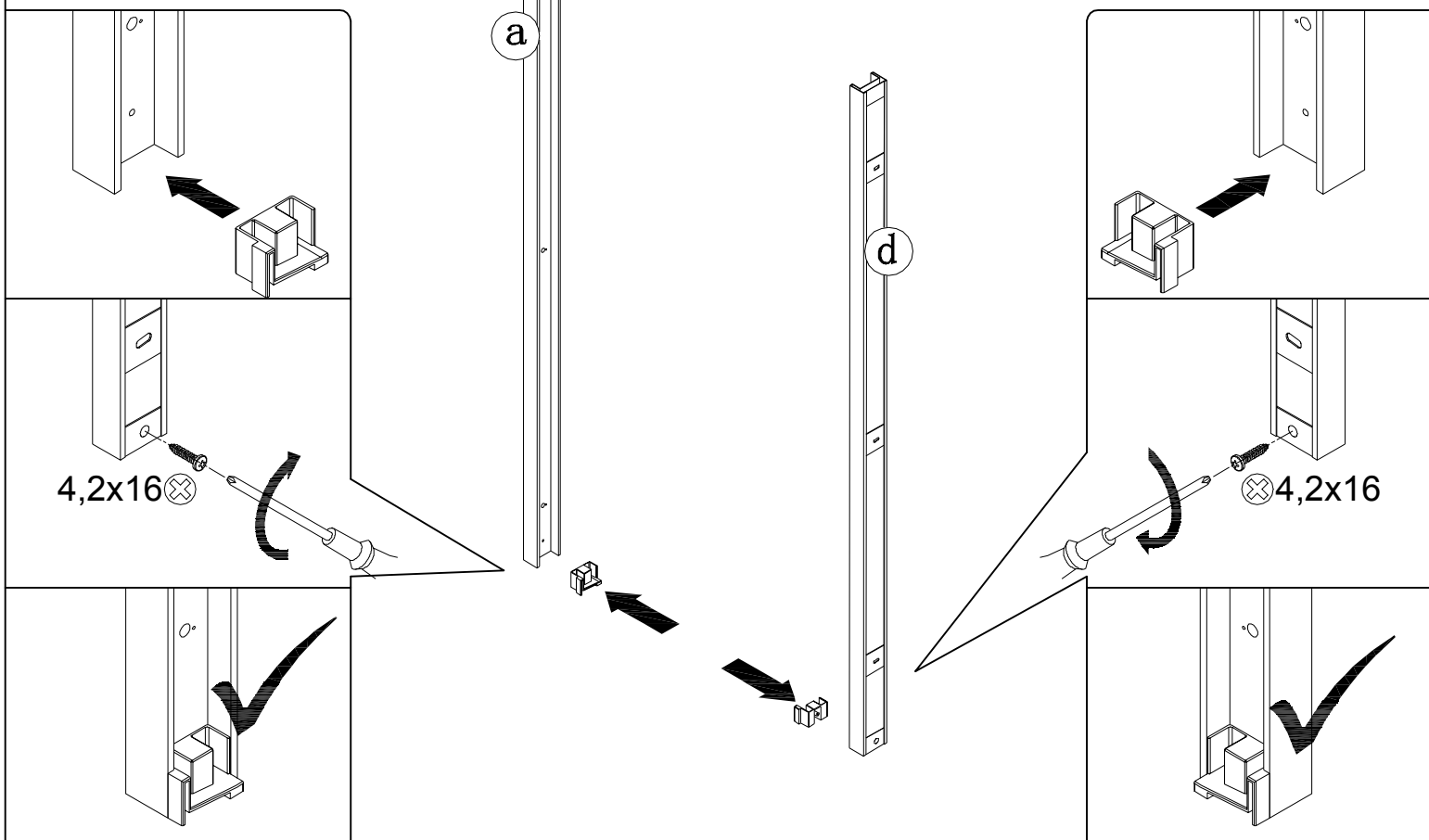
8



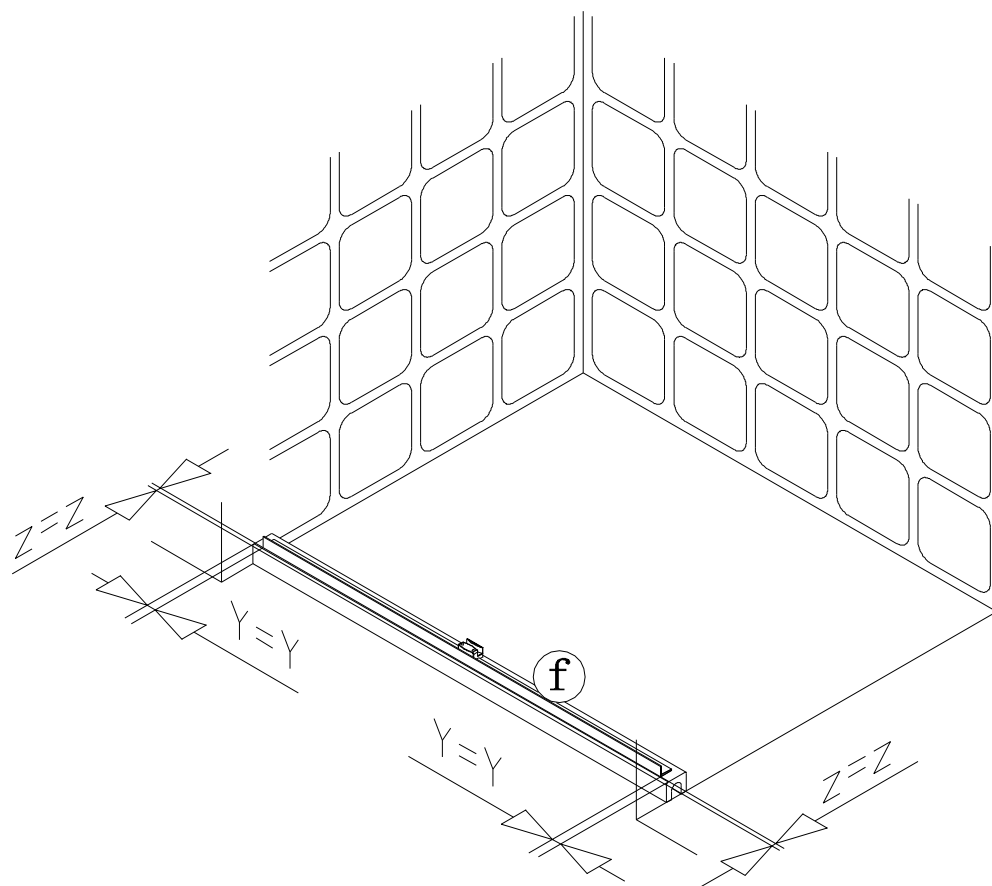
9



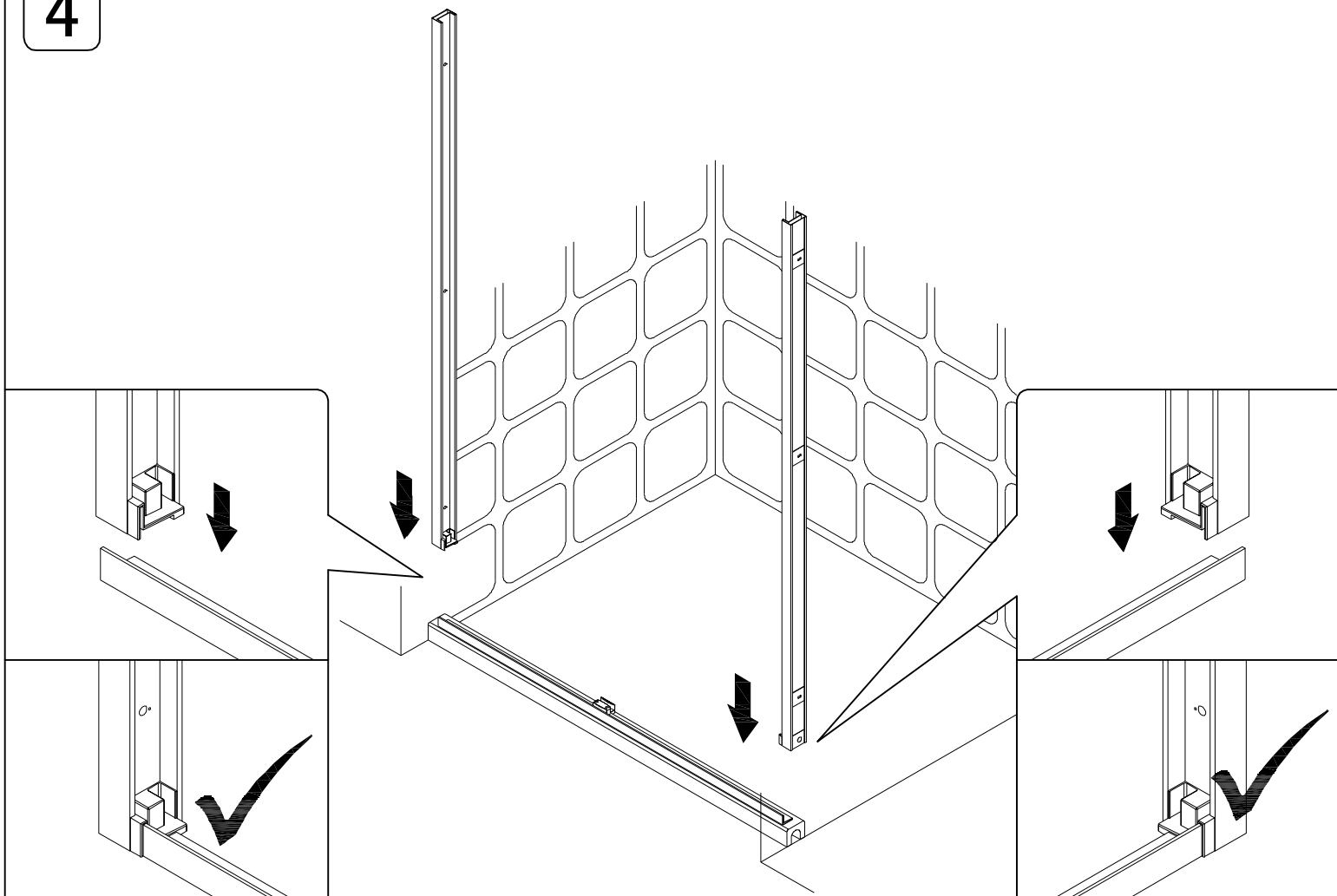
2



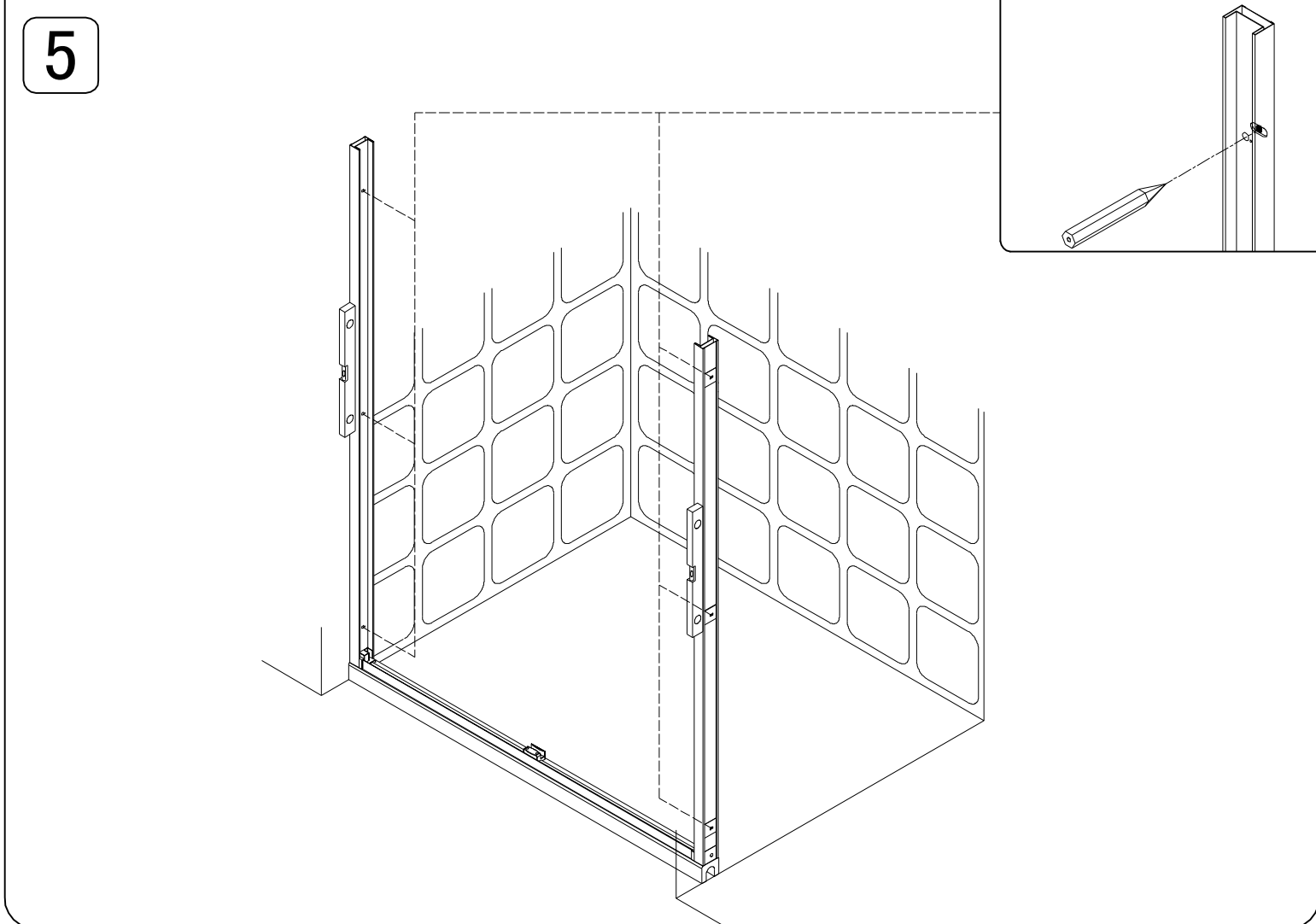
3



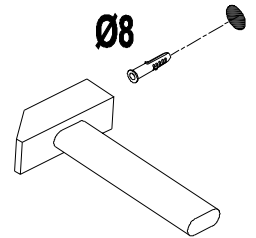
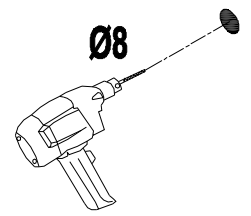
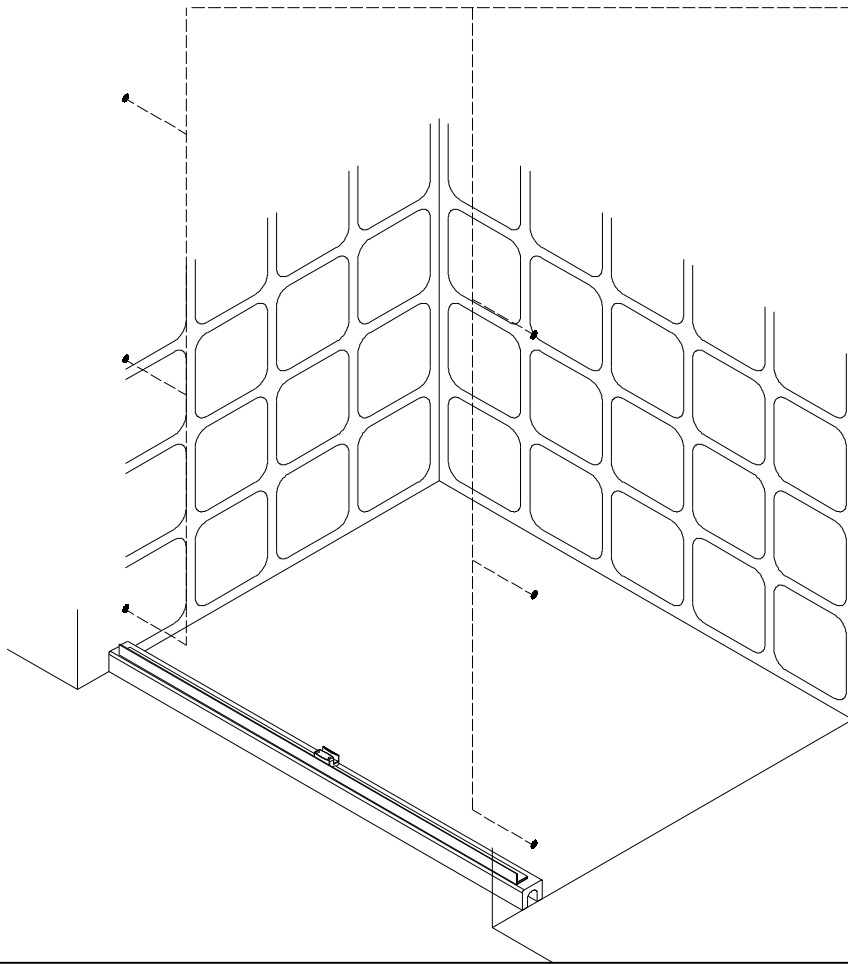
4



5



6



7

