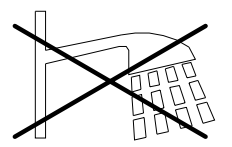
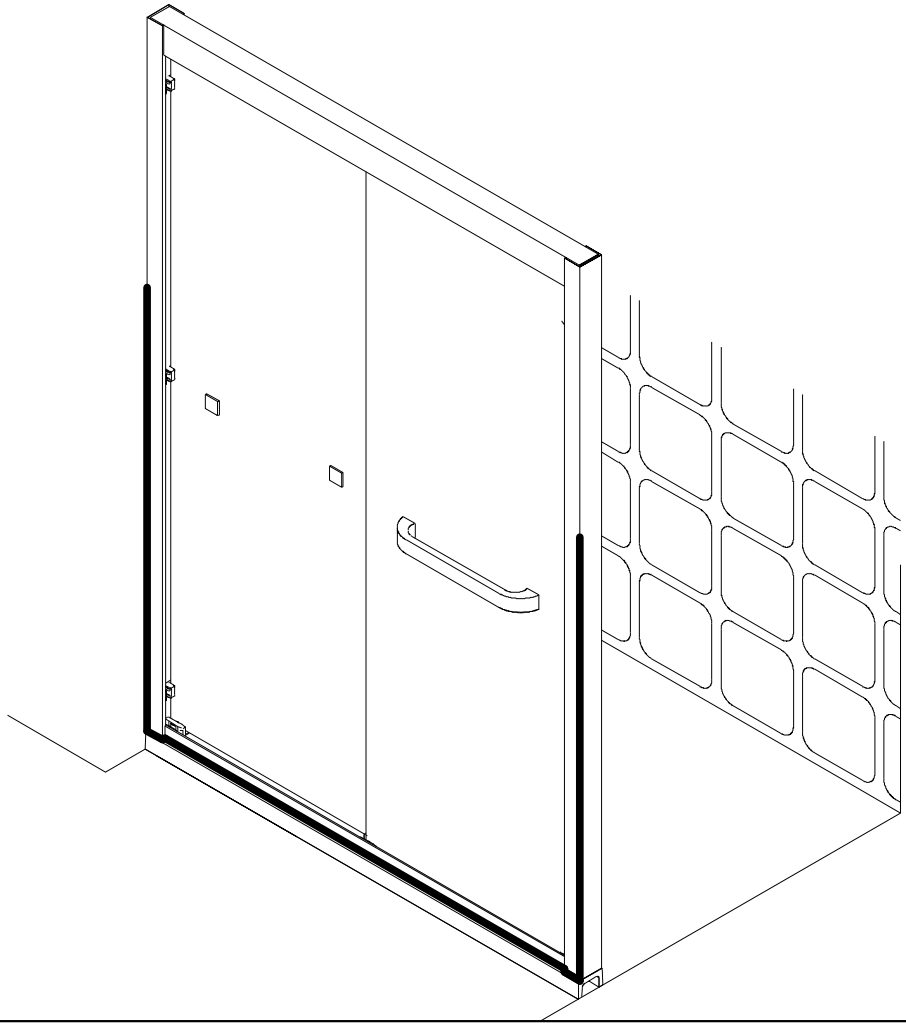


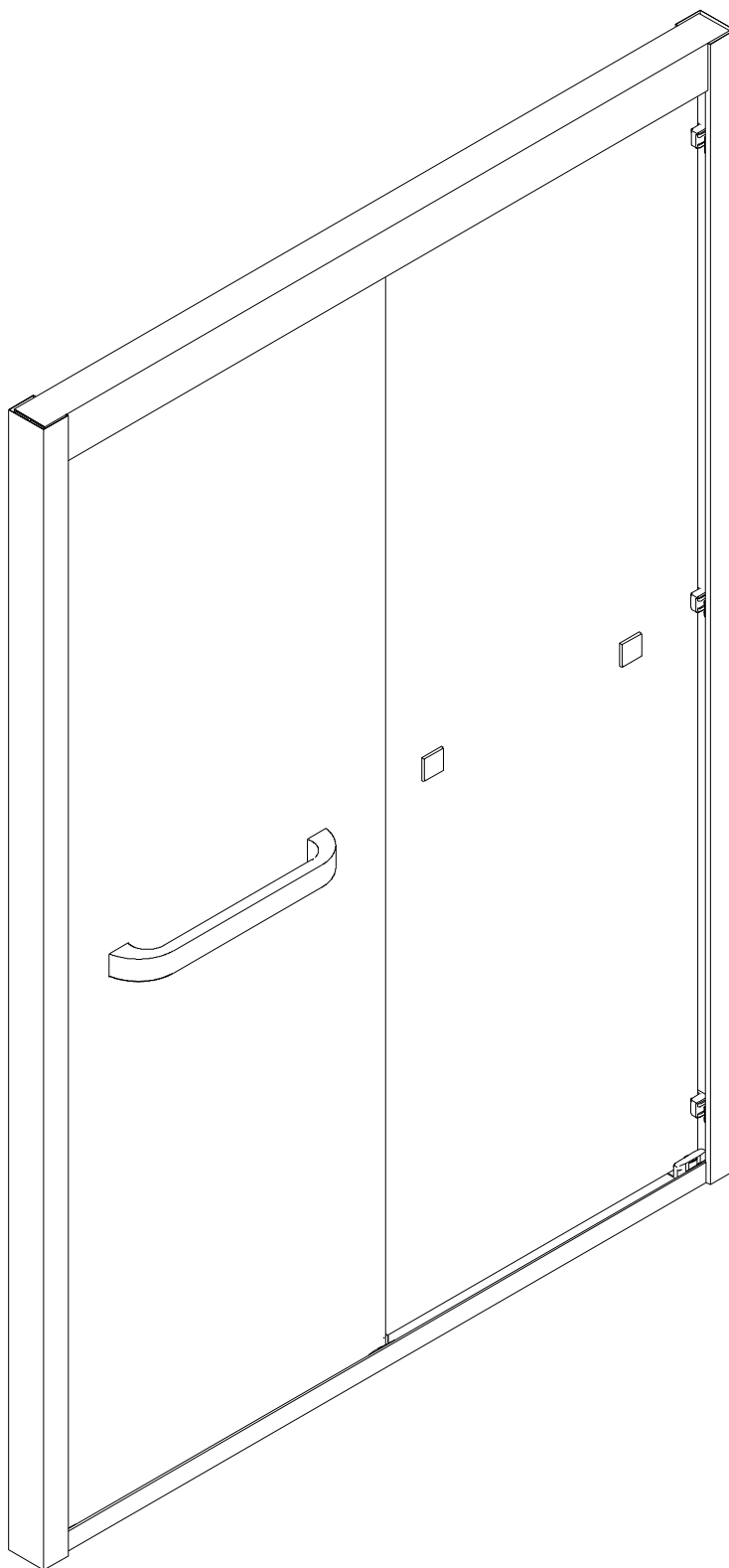
10

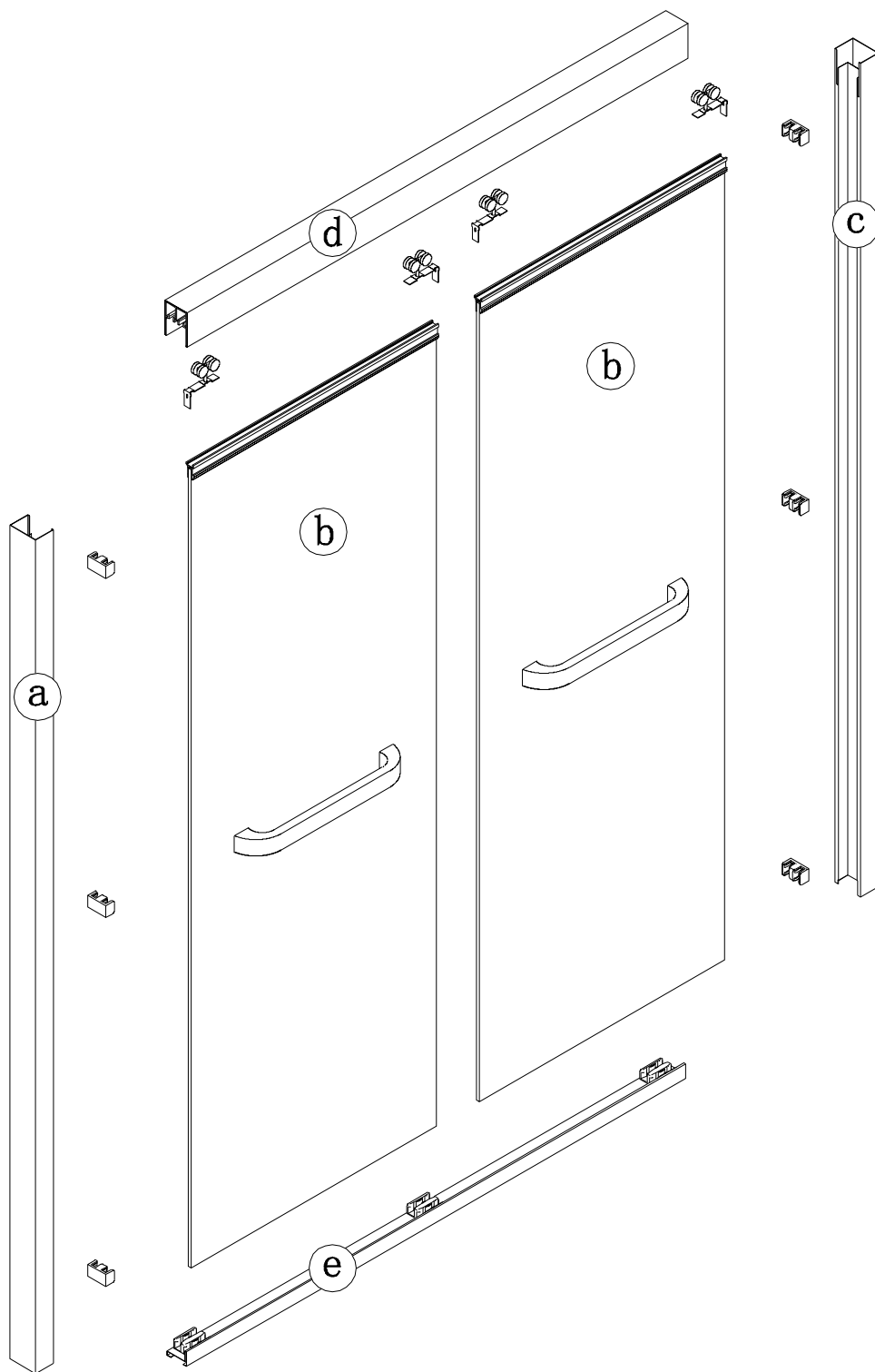
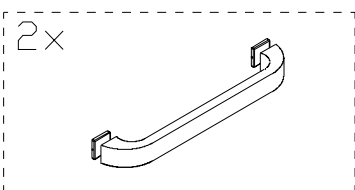
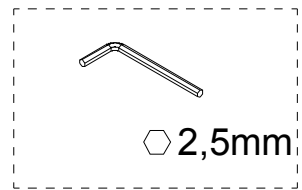
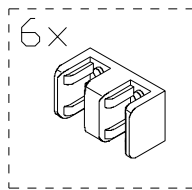
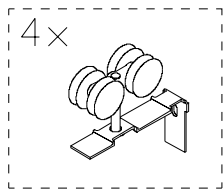
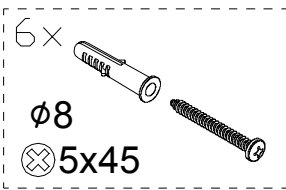


24h

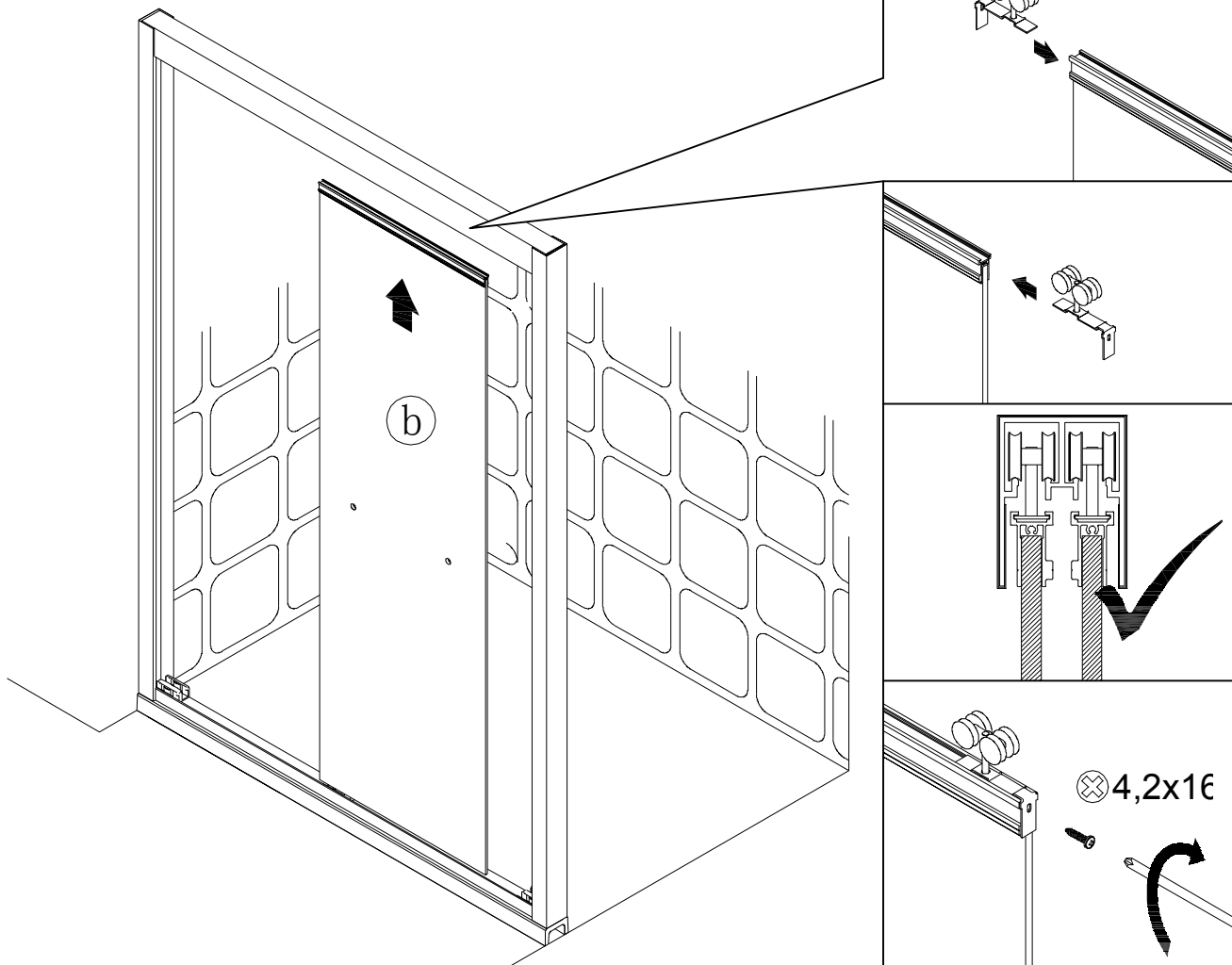
11

SR1992

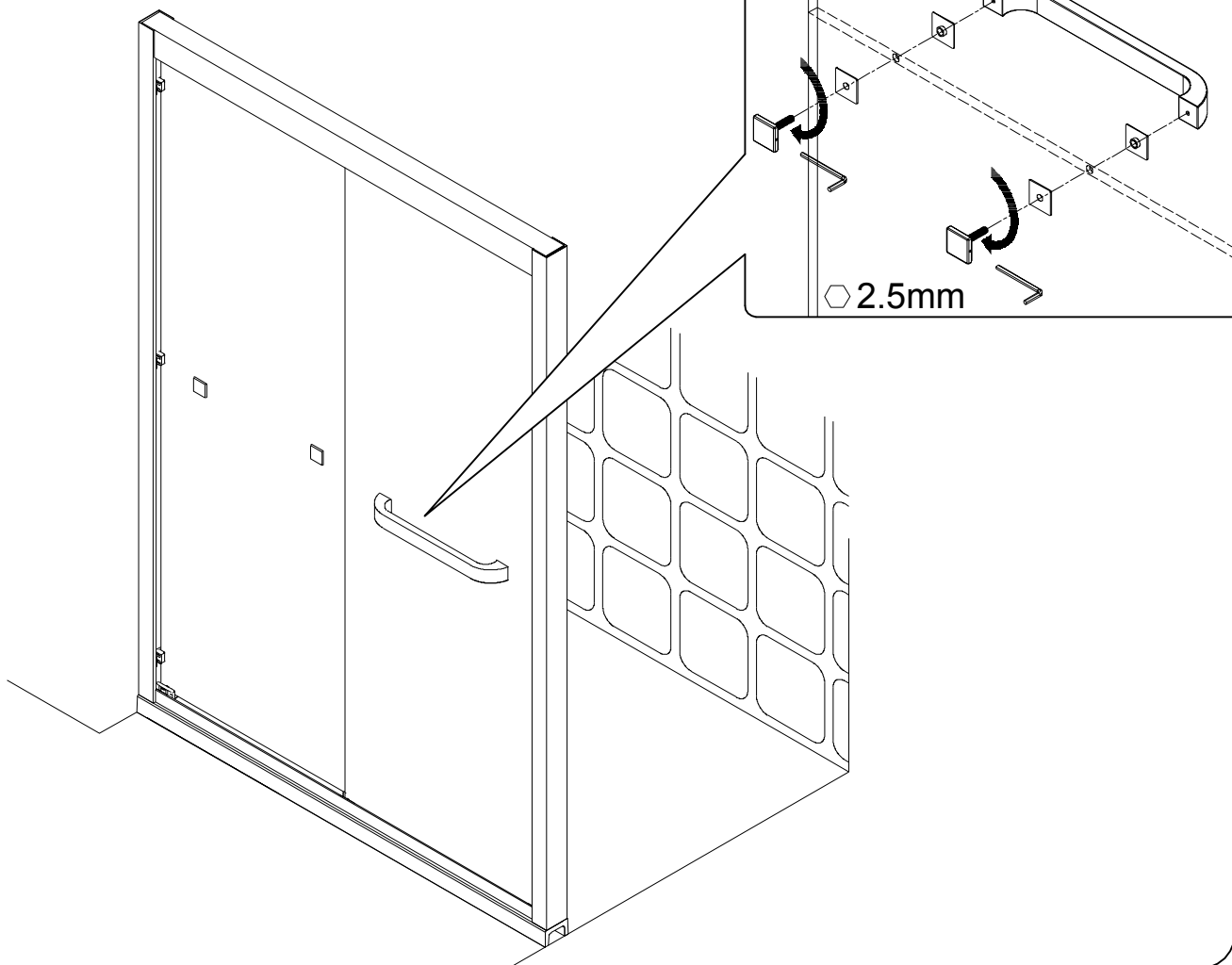




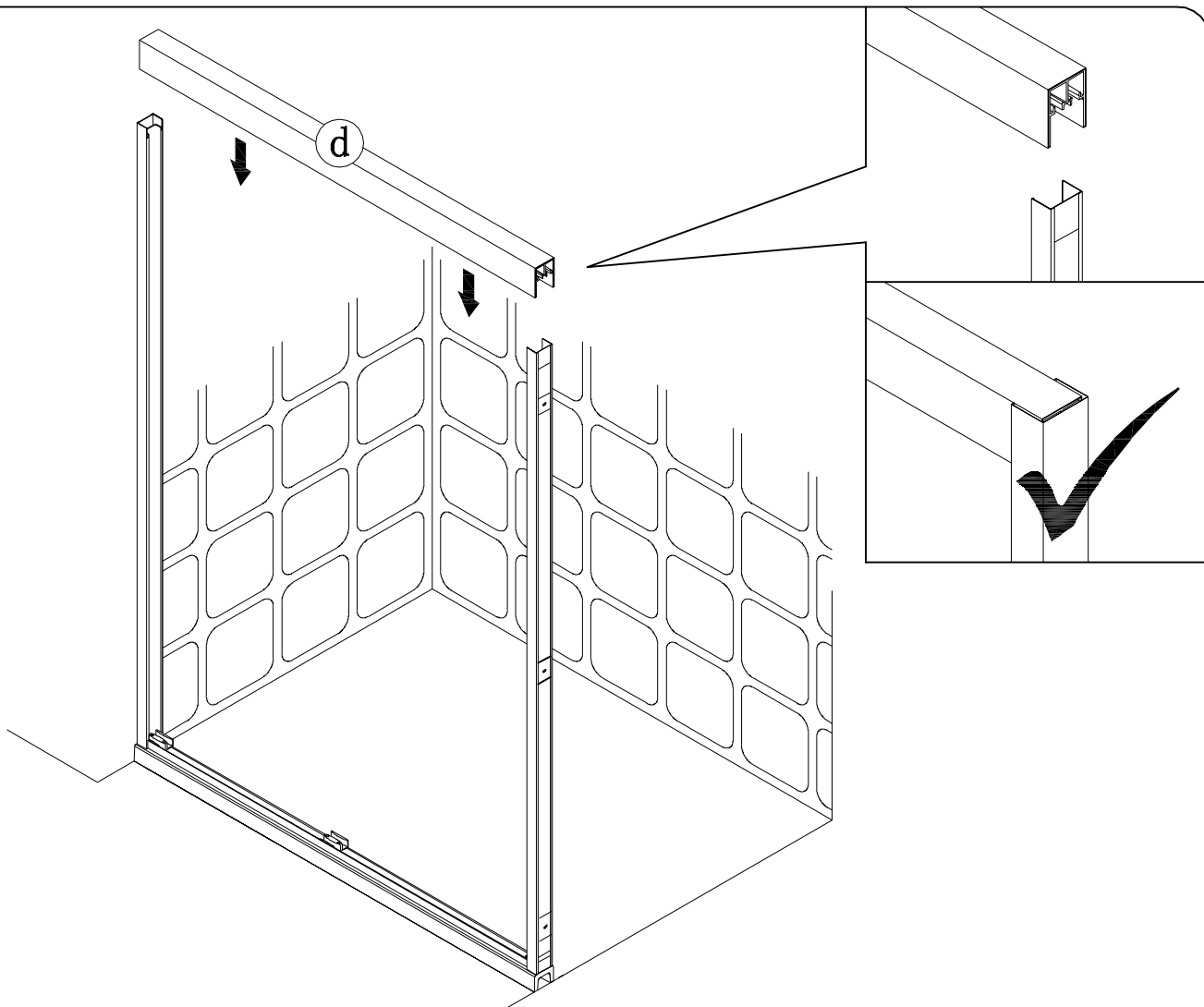
8



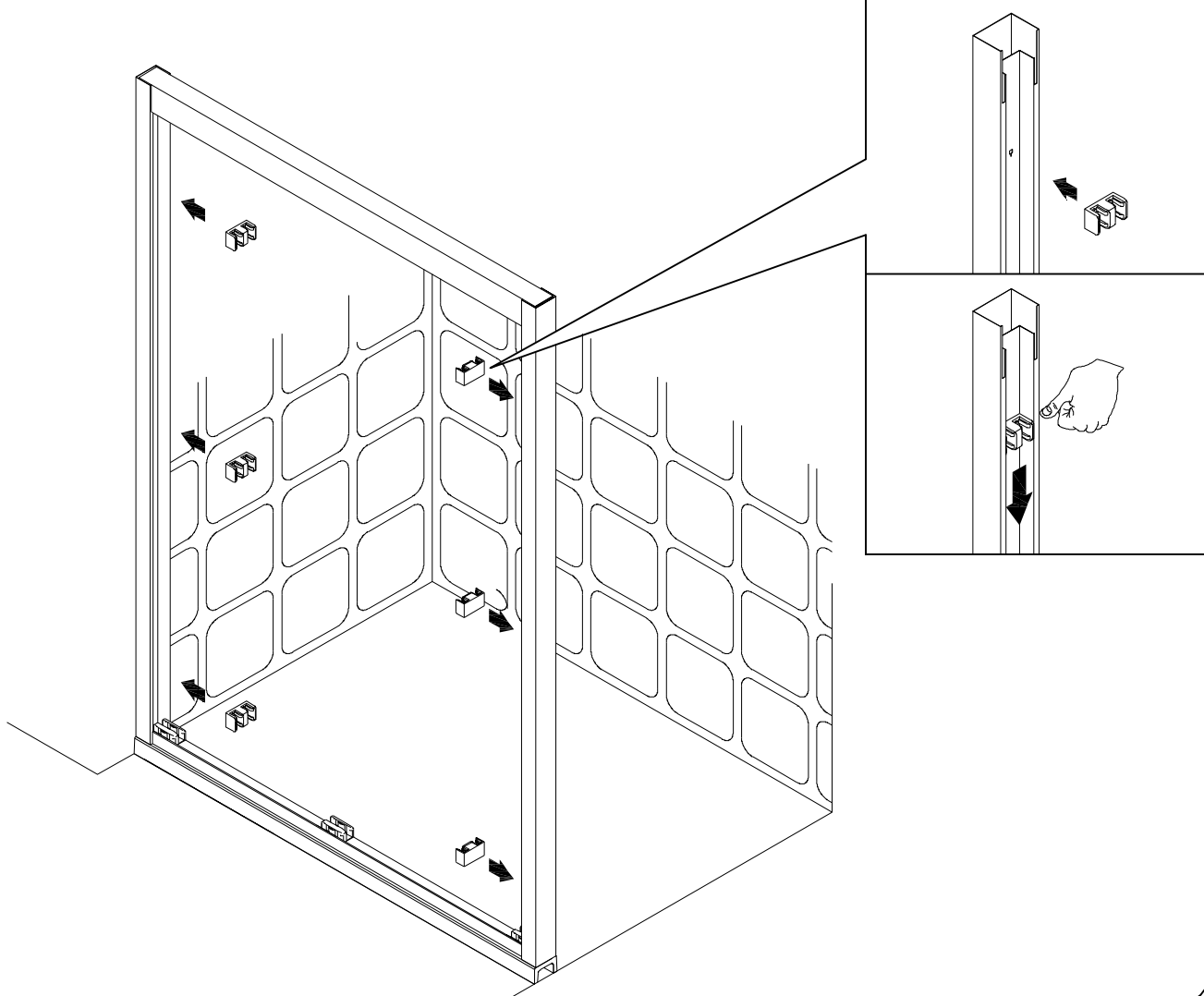
9

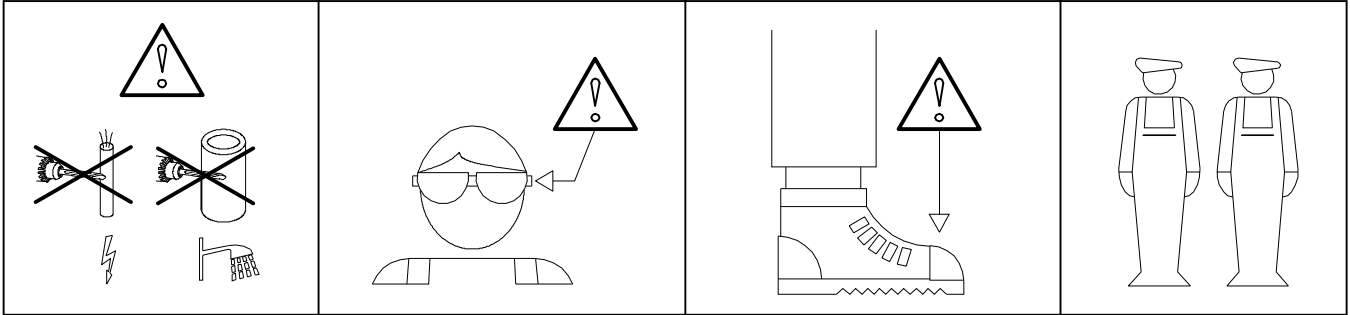
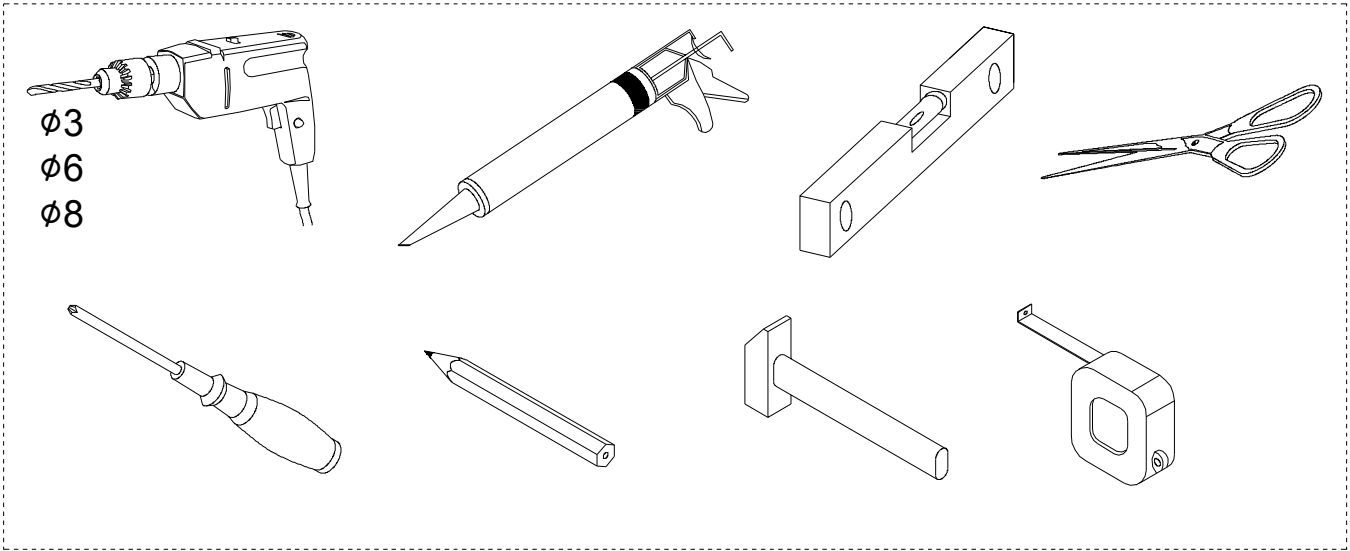


6

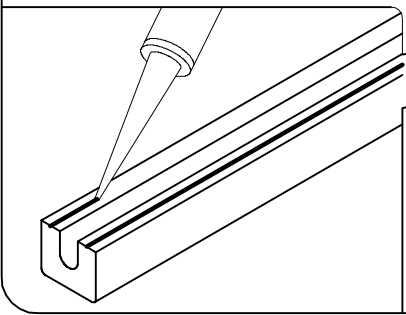
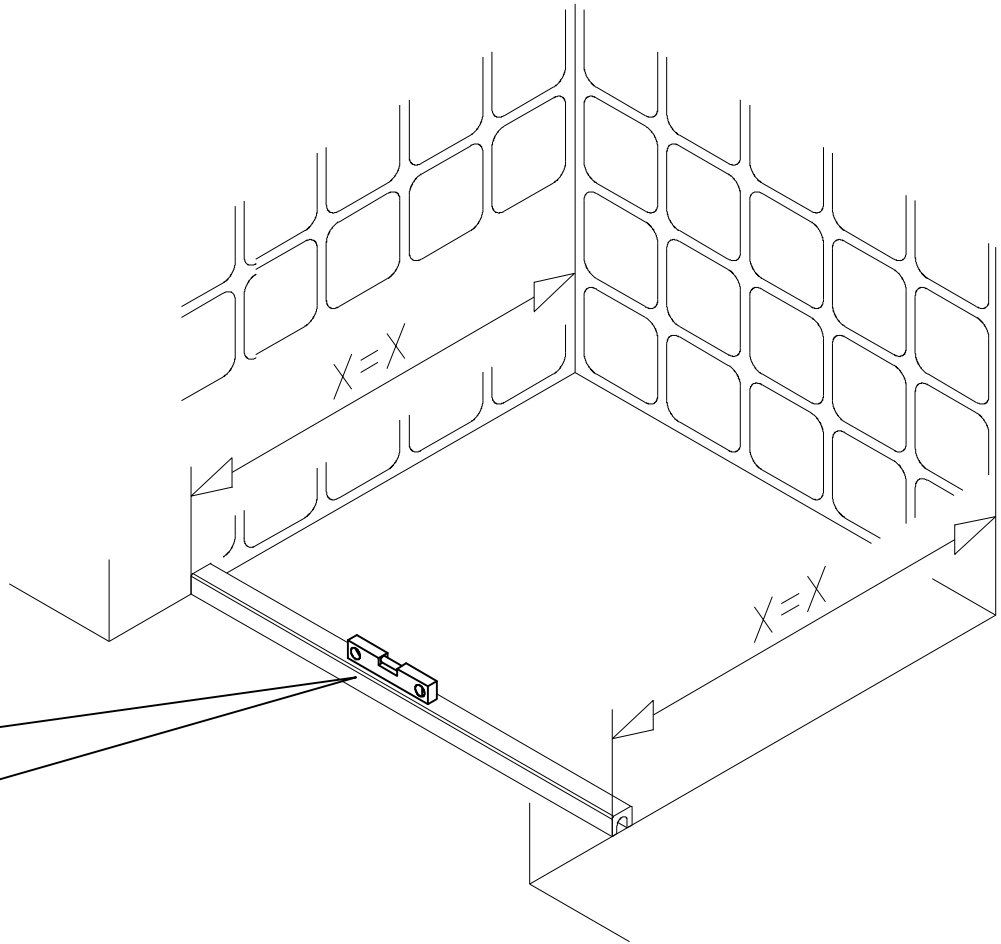


7

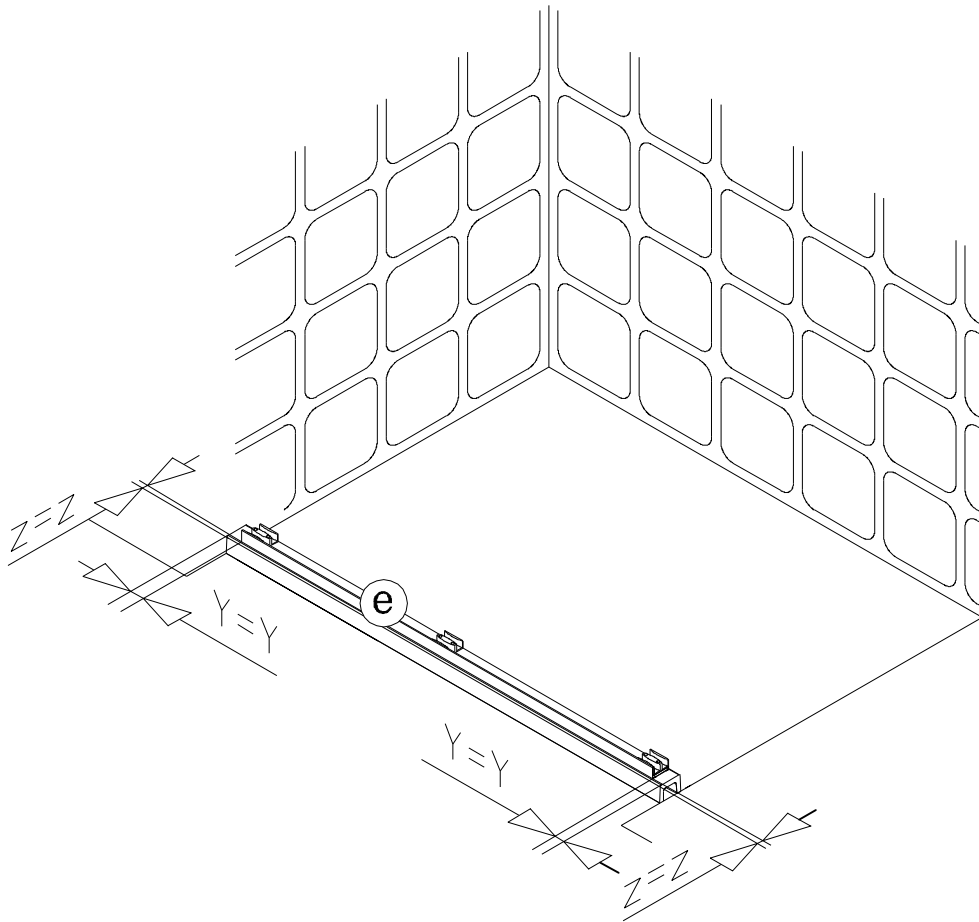




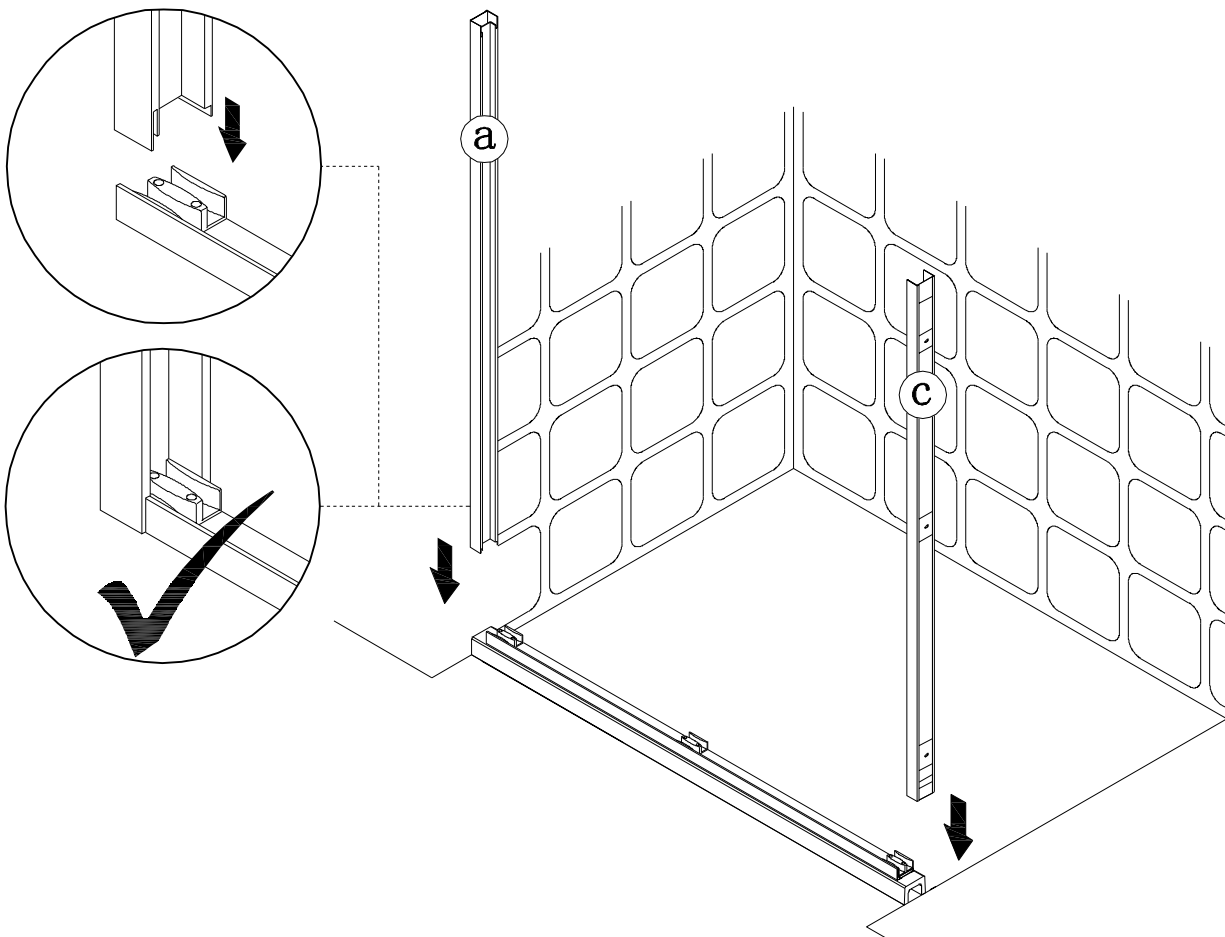
1



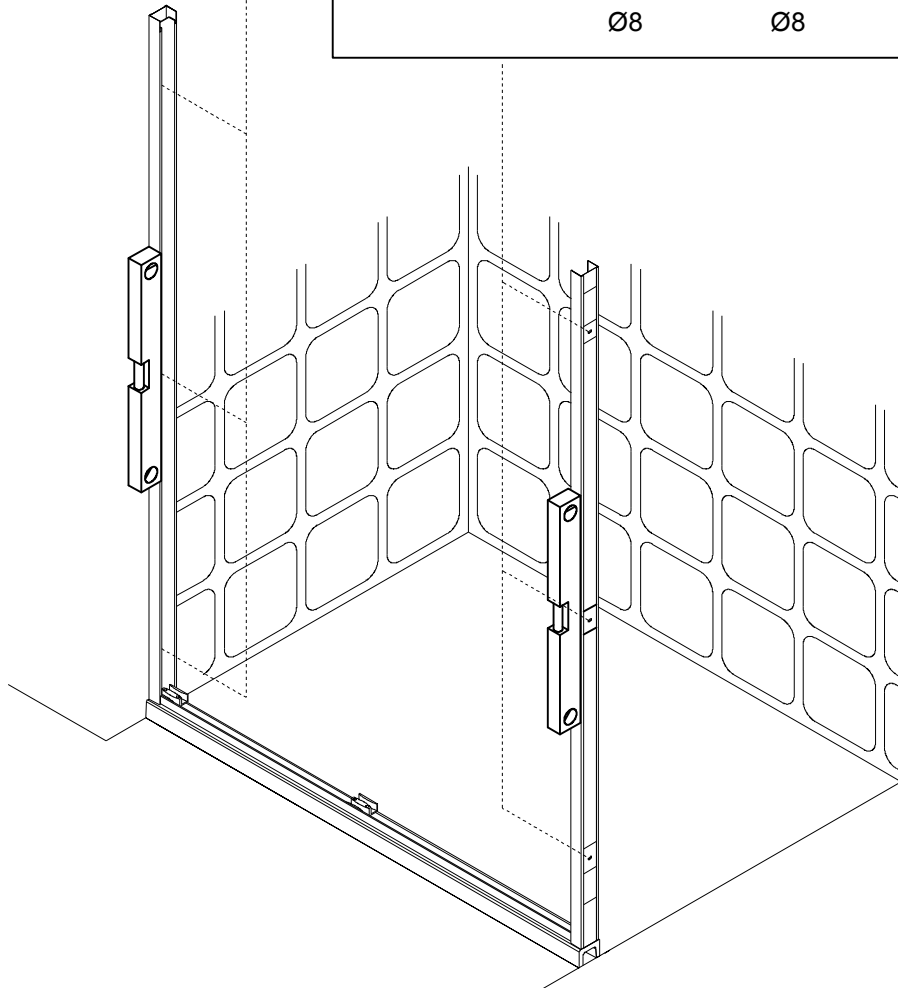
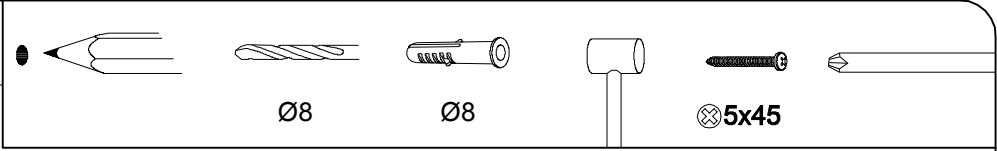
2



3



4



5

